

# Reactive Power Compensation Controller

## WGK-31-605



TFT touch screen



Power factor correction



Harmonic protection function



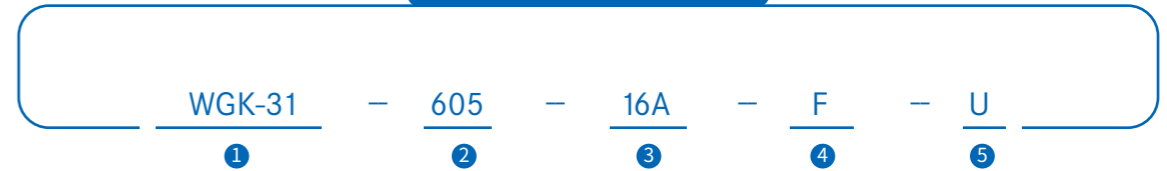
Manual /Auto switching



WGK-31-605 is a universal LC compensation system matched PFC.

Overview

Model Description



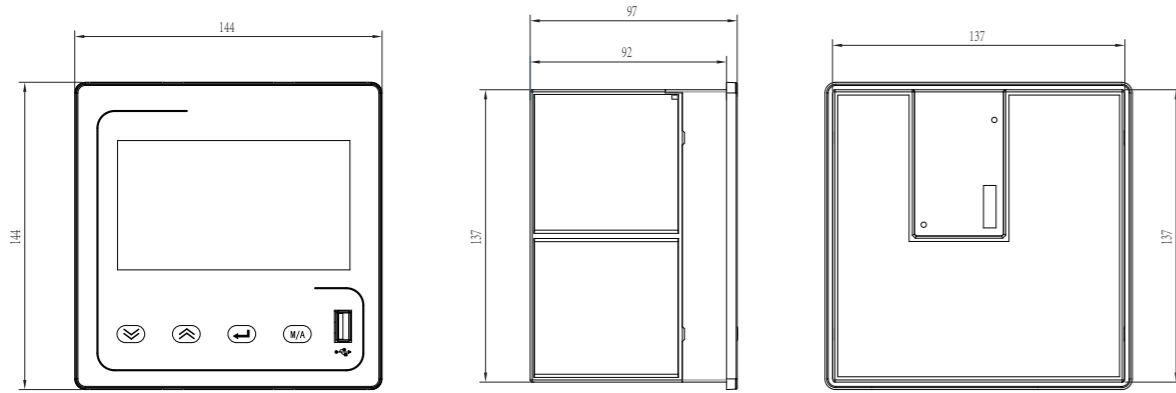
Annotation:

- 1 Model of the manufacturer
- 2 Product design number
- 3 Compensation steps:  
16A: static 16 steps  
24A: static 24 steps  
24B: dynamic 24 steps
- 4 Wiring method  
F: three-phase four wire  
G: single phase two wire
- 5 Optional function U:  
USB transfer function

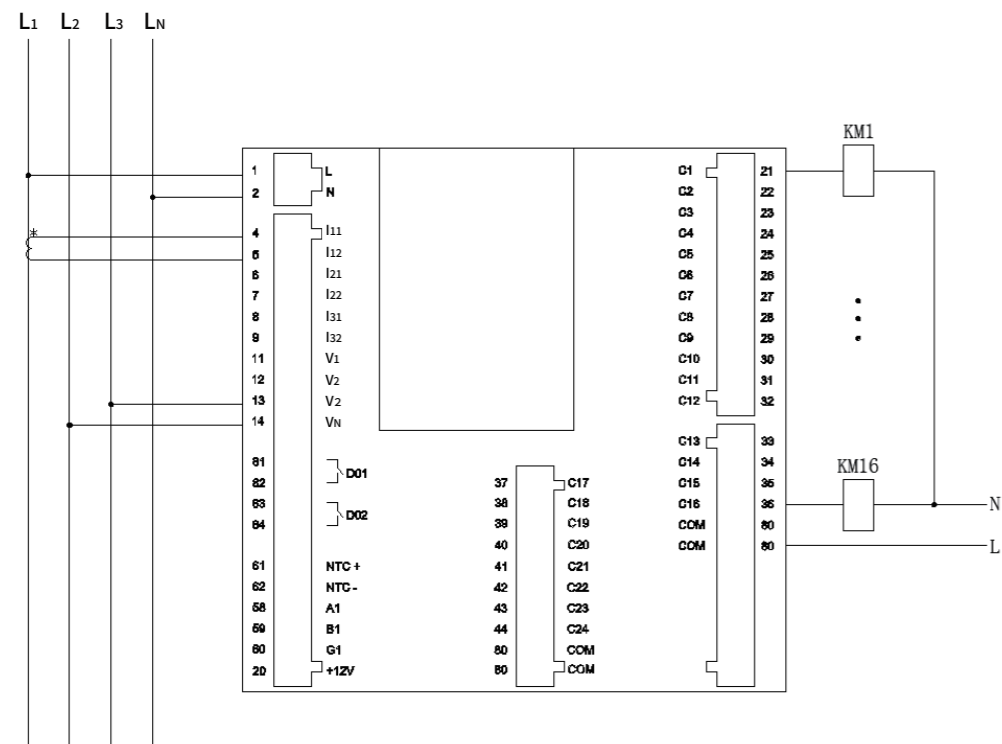
Technical Parameter

Specifications	16A-F	24A(B)-F	16A-G	24A(B)-G
Real-time	Three phase voltage, three line voltage		Single line voltage	
	Three-phase current		Single phase current	
	Three phase active power and total active power		Total active power	
	Three-phase reactive power and total reactive power		Total reactive power	
	Three phase apparent, total apparent		Total apparent	
	Three-phase power factor and total power factor		Total power factor	
Harmonic Measurement	Frequency, temperature		Frequency, temperature	
	2-31st			
Connection	Three-phase four-wire		Single phase two wire	
Number of Compensation Steps	16	24	16	24
Driving Method	A: Static B: Dynamic			
Compensation Method	Total and separate compensation		Total compensation	
Control Strategy	Cyclic switching, steady-state cycling			
Event Recording	50 pieces			
Alarm Out	2-way programmable relay output, contact capacity AC 250V/3A DC 30V/3A			
Temperature Measurement	NTC temperature sensor, 3m length			
Communication	1-way RS485 Modbus-RTU protocol			
USB Drive Function	Optional USB flash drive for exporting measurement data function			
Display Method	5-inch color touch screen			
Outline Dimensions	144×144 (mm)			
Cut-out Dimension	138×138 (mm)			

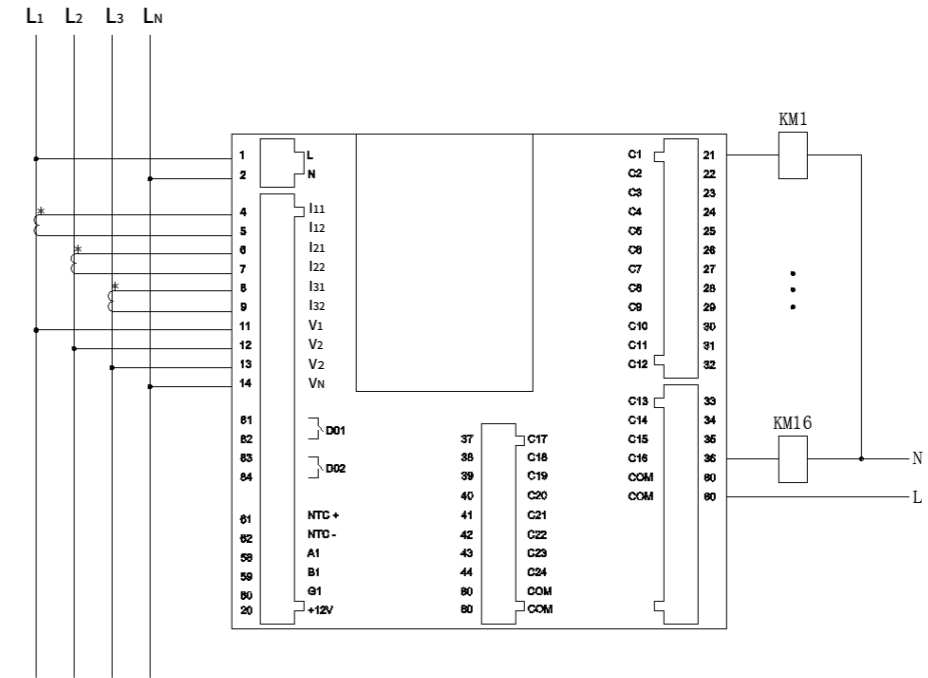
Dimension



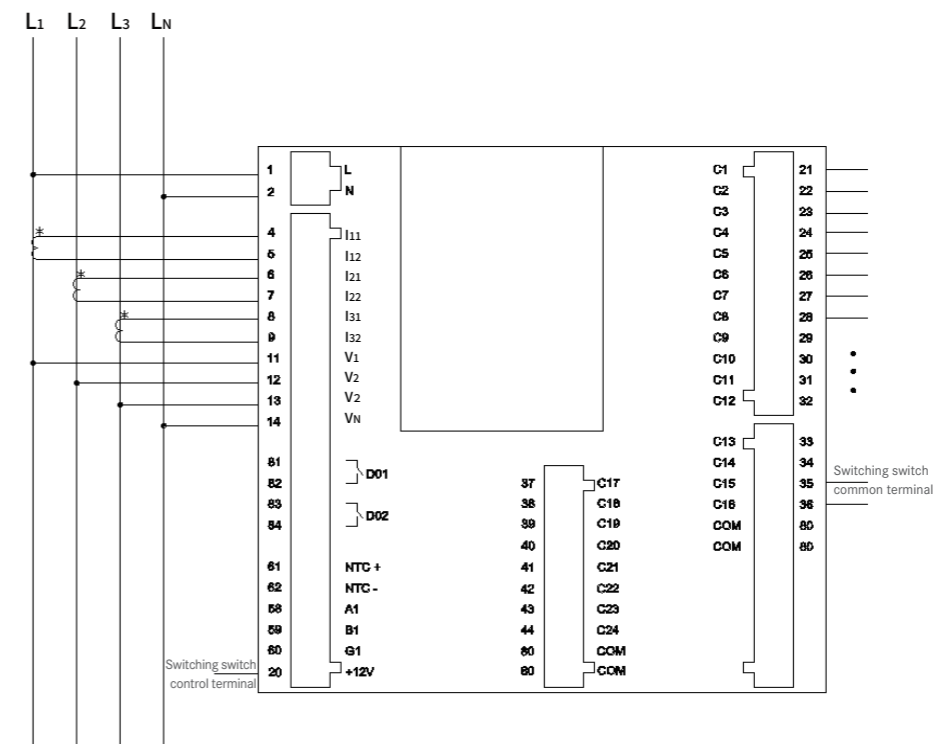
Typical Wiring



Static wiring diagram of total compensation (one phase, two wires)



Static wiring diagram of total and separate compensation (three-phase four wire)



Dynamic wiring diagram of total compensation (three-phase four wire)