

Sfere720A Sfere720B



- Modbus Interface
- Energy Accuracy 0.5S
- Pulse Output
- Harmonics (Only Sfere720B)
- Neutral Current Input (Only Sfere720B)
- 4 Tariffs (Only Sfere720B)
- Data Record (Only Sfere720B)



FUNCTION

Networks -TN, TT, IT networks	Communication -Interface: RS485 -Protocol: Modbus-RTU
Accuracy -Energy: 0.5S -Voltage: 0.2% -Current: 0.2%	Power Quality(Sfere720B) -THD -Harmonics up to 51st -Unbalance -Sequence component -Crest factor and K factor
Data Log (Sfere720B) -Demand record -Max./Min. value record -Off-limit record -SOE record	



APPLICATIONS

- Data Acquisition
- Energy Management
- Remote Power Monitoring

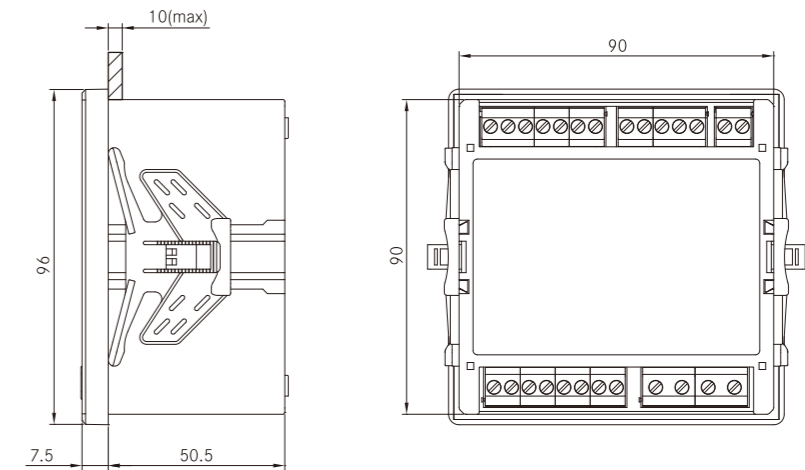


MAIN FEATURES

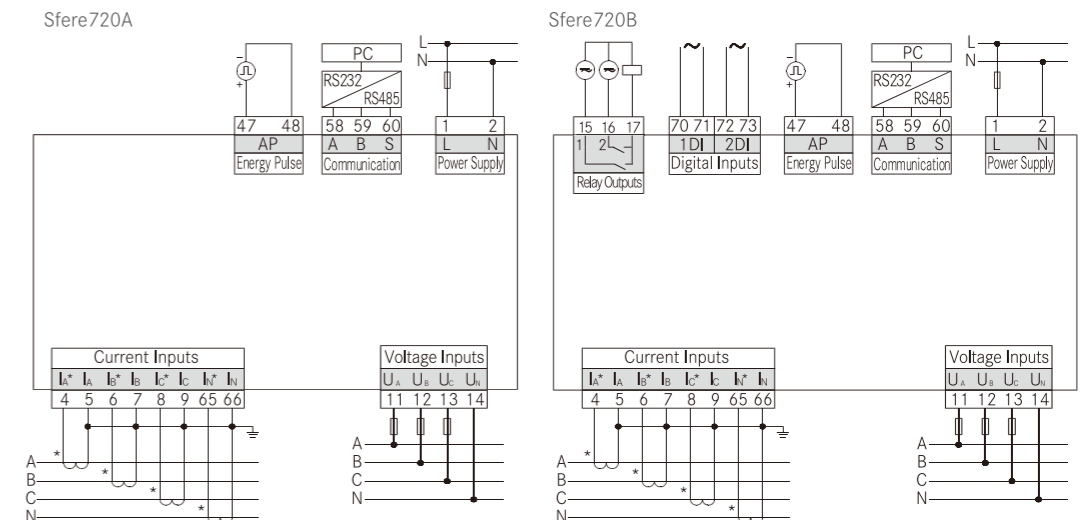
Measuring -Demand -Max./Min. Value	Power Quality (Sfere720B) -Harmonics up to 51st -Sequence component -Unbalance -Crest factor and K factor
Energy Metering -Bi-directional energy -Four-quadrant reactive energy -Tariff energy (Sfere720B)	



DIMENSIONS



TYPICAL WIRING





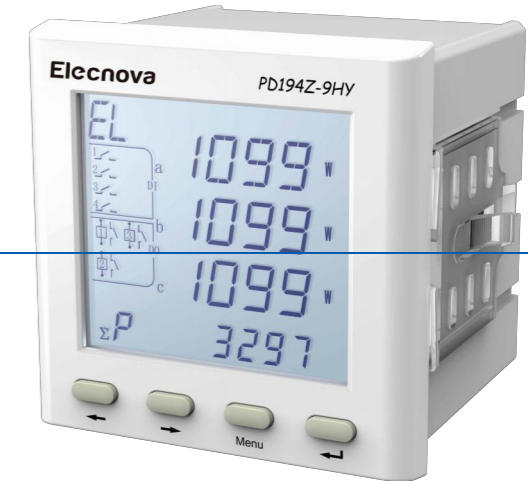
TECHNICAL SPECIFICATION

Display Mode		LCD
Accuracy	V/A	0.2%
	P/Q/S/PF	0.5%
	F	±0.01Hz
	±kWh	Class 0.5S
	±kvarh	Class 2
Voltage Input	Rated value	AC 100V, AC 380V
	Overload	Continuous: 1.2Vn Instantaneous: 2Vn/10s
	Burden	≤0.1VA (per phase)
	Impedance	≥1.7MΩ
	Frequency	45Hz~65 Hz
	Current Input	Rated value
Overload		Continuous: 1.2In Instantaneous: 2In/5s
Burden		≤0.2VA (per phase)
Impedance		≤20mΩ
Power Supply	Working range	AC 80~270V 50/60Hz, DC 100~350V
	Consumption	≤5VA
Communication Port		RS485, Modbus-RTU, 2-wire, up to 38.4kbps
Energy Pulse Output		1 photocoupler output, pulse width (80±20%) ms
Digital Input		2 AC wet contact inputs, Isolation: 5kVAC
Relay Output		2 relay outputs, Contact rated at AC 5A/250V or DC 5A/30V, Isolation: 2kVAC
Environment Conditions	Operating temperature	-25 C ~70 C
	Storage temperature	-30 C ~80 C
	Relative humidity	≤93%
	Altitude	≤2500m
Insulation		≥ 2kVAC
IP Degree		Front IP54, Rear IP20

PD194Z-9HY



Harmonics
Energy Accuracy 0.5S
Pulse Output



DEVICES



FUNCTION

Networks

-TN, TT, IT networks

Communication

-Interface: RS485
-Protocol: Modbus-RTU
Profibus-DP (Optional)

Accuracy

-Energy: 0.5S
-Voltage: 0.2%
-Current: 0.2%



MAIN FEATURES

Measuring

-Fundamental V/A
-Demand
-Max./Min. Value
-Load profile

Power Quality

-Harmonics up to 31st
-Unbalance

Energy Metering

-Bi-directional energy
-Four-quadrant reactive energy
-Tariff energy