

Digital Display AC Ammeter

Operation Guide

Applied to:

SI series

S3I series

JIANGSU SFERE ELECTRIC CO., LTD.

Thank you for choosing the digital display meters researched and produced by Jiangsu Sfer Electric Co., Ltd. Please read this manual carefully and follow the instructions strictly to ensure your safe, correct and efficient purchase and use of the product.

- ◆ Make sure only the qualified technicians perform the installation and maintenance;
- ◆ Before performing wiring operation to the meter, make sure the input signal and the power supply are switched off;
- ◆ The proper voltage detecting device should be used to guarantee no voltage in any part of the meter;
- ◆ The electrical parameters supplied to the meter should be within the rated range;

The following situations may result in damages to the meter or cause mistakes in the operation of the meter.

- ◆ The voltage of the auxiliary power supply goes beyond the rated range.
- ◆ The frequency of the power distribution system goes beyond the rated range.
- ◆ The input polarity of the voltage or the current is incorrect.
- ◆ Remove or connect the communication plugs without powering off.
- ◆ Connect the terminal wires against the related instructions.

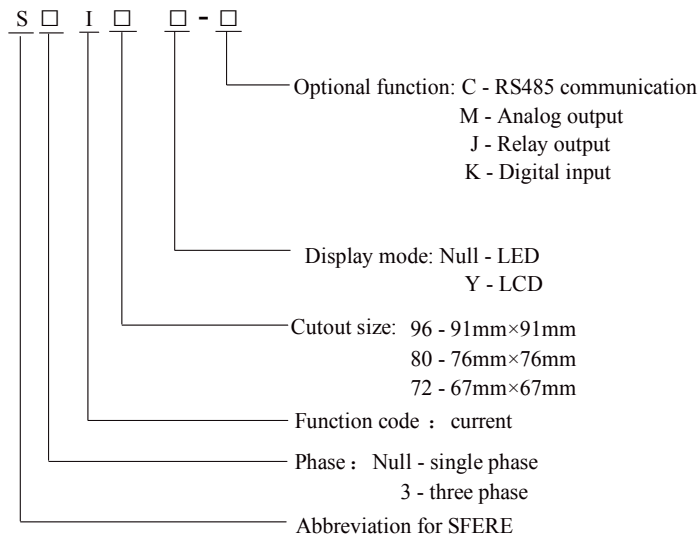


Please don't touch the terminals when the meter is in operation!

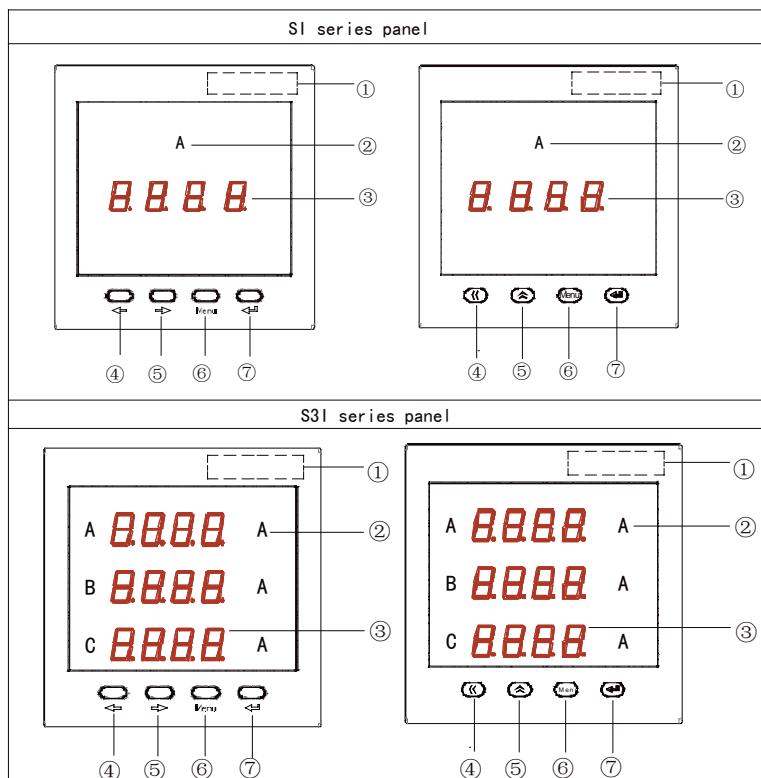
1. Function Description

Digital display ammeters measure three phase or single phase current parameters of grid by adopting AC sampling technology. This series of meters support RS-485 communication interface (Modbus-RTU protocol), analog output, digital input and relay output function. The transmission ratio can be changed through the operation buttons on the panel of meter.

2. Naming Rule



3. Panel



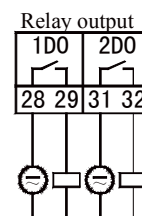
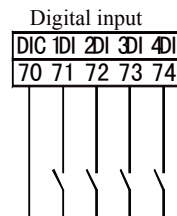
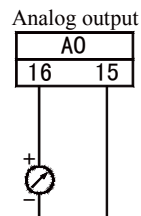
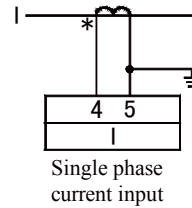
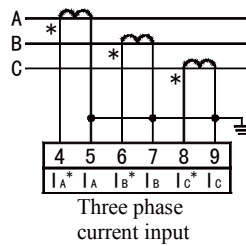
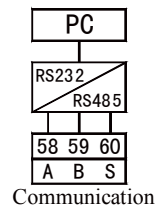
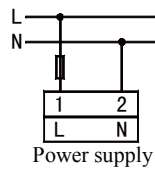
1. Model;
2. Display measured data and programming information;
3. Unit;
4. Left-forward button that is used to select functions or select numbers at different bits;
5. Right-forward button that is used to select functions or change the number at selected bit;
6. Menu button that is used to enter parameter setting status, return to upper level menu in programming status and cancel an operation;
7. Enter button that is used to confirm an operation.

4. Mounting dimension

Unit: mm

Code of Outline	Panel size	Match Size of Screen Install	Overall Length
96	96×96	91×91	75
72	74×74	67×67	75/90
80	83×83	76×76	75

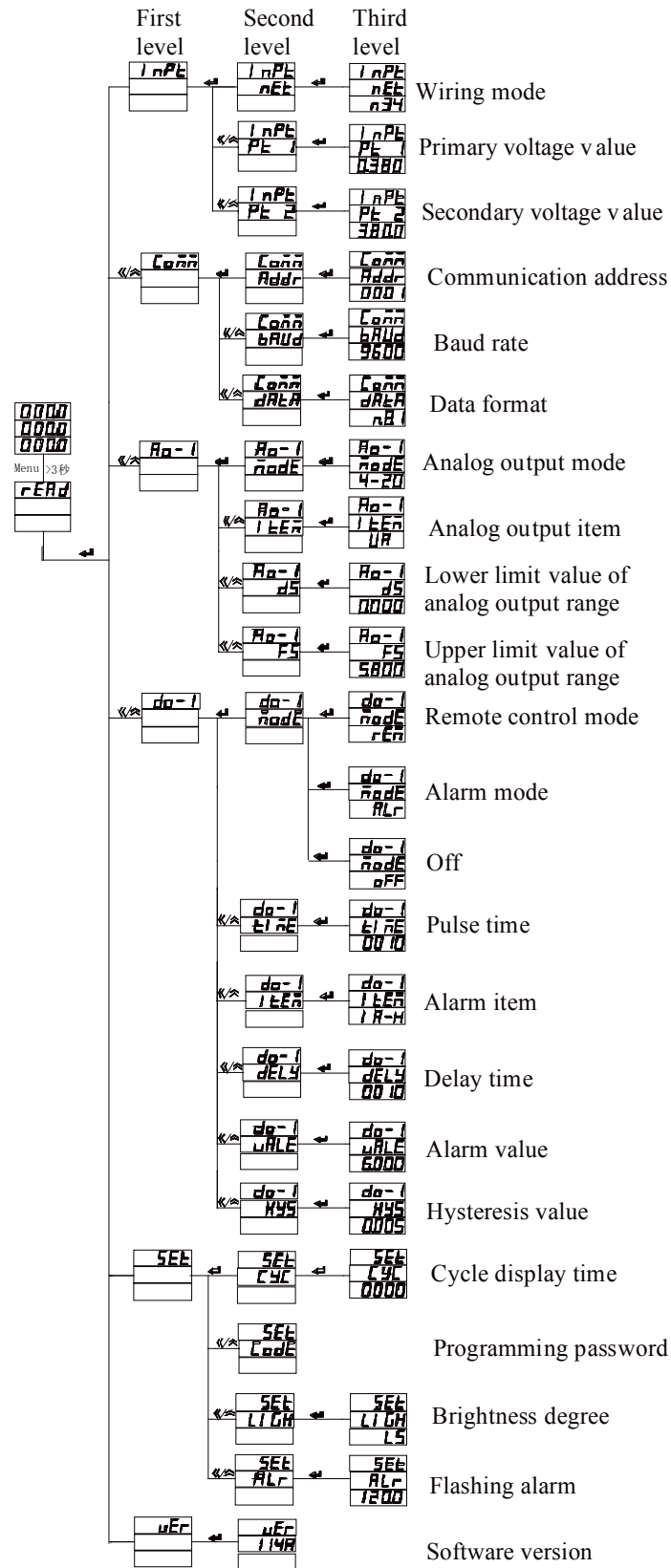
5. Wiring diagram

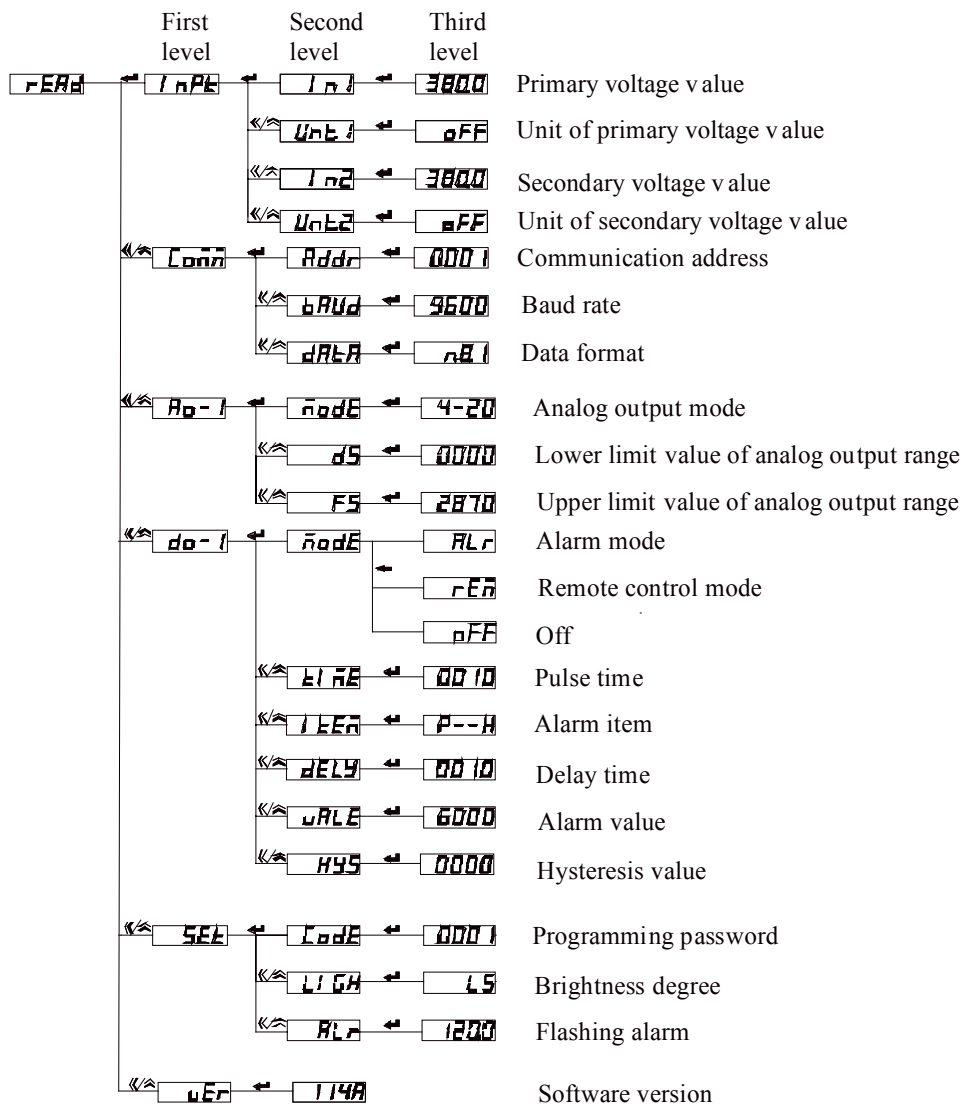


Note: 1. "*" indicates the input terminals of current.

2. For the detailed wiring methods, please refer to the practical wiring diagrams of products.

6. Flow chart for checking menu





- Note: 1. Checking method of do-2 is similar to that of do-1;
 2. The function of « button is the same as ← button.

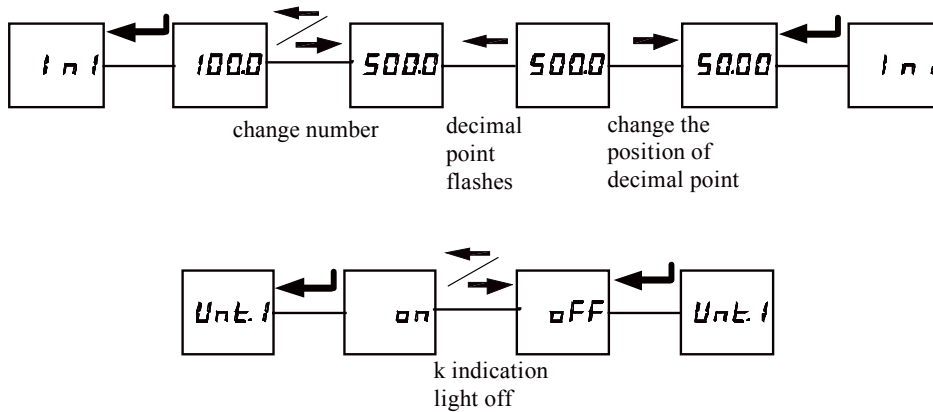
7. Operation instruction of programming menu

In measurement display interface, keep pressing Menu button for more than three seconds until **r-Err** appears, then press **←** or **→** button to switch to **Prog**. Now press **↵** button to enter program password interface. Press **←** or **→** button to input password (defaulted 0001), then press **↵** button to enter setting menu. (Note: if the password is not right, **Err** will appear. Then it returns to program password interface after seven seconds.)

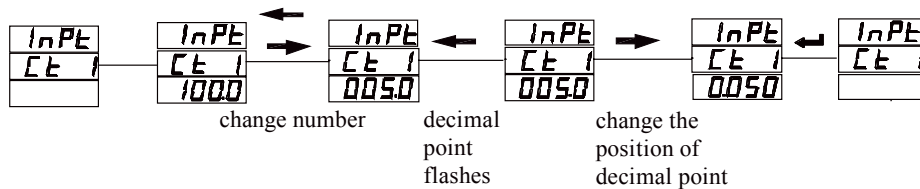
7.1 Input primary value setting

User can change input primary value at field. After entering setting interface, press **←** or **→** button to select **Coññ**, then press **↵** button to enter signal setting interface, now press **←** or **→** button to select **CE.1**.

Single phase voltage meter



Three phase ammeter



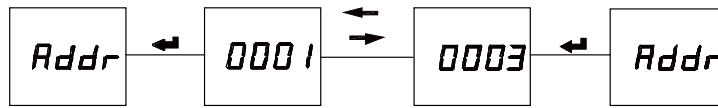
7.2 Communication setting

E.g. Change communication address to be 3, set baud rate as 9600bps, change data format to be no check mode.

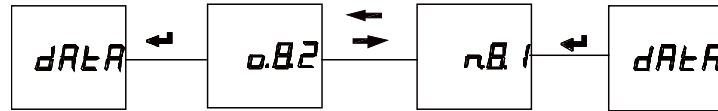
After entering setting interface, press **←** or **→** button to select **Coññ**, then press **↵** to enter communication setting interface, now press **←** or **→** button to select relative items.

Single phase ammeter

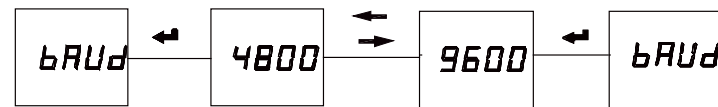
※ Set communication address



※ Set data format

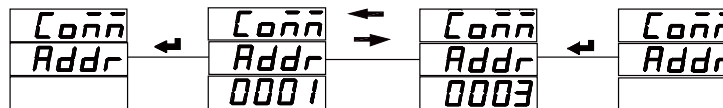


※ Set baud rate

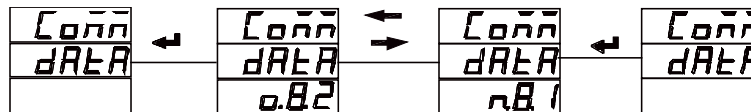


Three phase ammeter

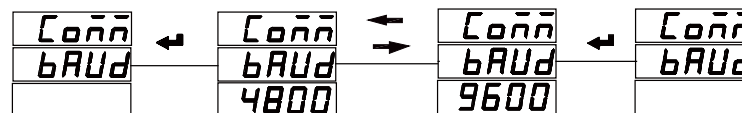
※ Set communication address



※ Set data format



※ Set baud rate



If the parameters of third level data are modified, please press button to save the modified data and return to secondary level. If user presses Menu button, the modified data will not be saved.

If user wants to exit program setting interface, please return to first level of program setting interface, then press Menu button to see *SAUE--no*, now there are two choices available:

1. Press button to exit program setting interface without saving modified data;
2. Press or button to switch to *SAUE--YES*, then press button to exit program setting interface and save modified data.

●For more detailed parameters, please log on our website.

<http://www.jcsepi.com>

JIANGSU SFERE ELECTRIC CO., LTD.

Add: 99 Chengjiang R.(E), Jiangyin, Jiangsu, China

P.C: 214429

Tel: (0510)86199988 86199080

Fax: (0510)86199081

<http://www.meter-sfere.com>

Email:justinsfere@gmail.com cdwjc@hotmail.com